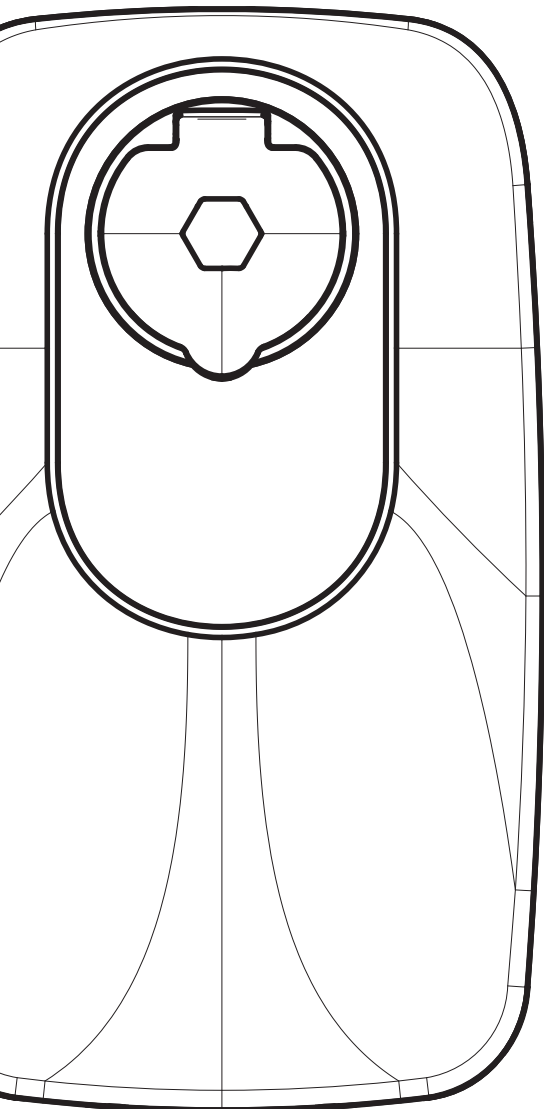


# Single Wallbox

User manual



SWB\_4xx\_22\_T2

SWB\_4xx\_22\_C7

SWB\_4xx\_22\_T2S

SWB\_4xx\_22\_T2SE

English



To access the Single Wallbox Installation Manual  
please scan the QR code or use the link  
<https://www.enovates.com/download/single-wallbox-installation-manual/>



To access the Pedestal Installation Manual  
please scan the QR code or use the link  
<https://www.enovates.com/download/single-wallbox-pedestal-installation-manual/>



To access the Single Wallbox User Manual  
please scan the QR code or use the link  
<https://www.enovates.com/download/single-wallbox-user-manual/>



To access the Single Wallbox Accessories Manual  
please scan the QR code or use the link  
<https://www.enovates.com/download/single-wallbox-accessoire-manuals/>

---

# CONTENTS

1. Safety instructions.....	4
1.1. Purpose.....	4
1.2. Safety terminology.....	4
2. Product overview.....	8
3. Charging.....	10
Start charging.....	10
Stop charging.....	12
4. Charger LED colors.....	13
5. App.....	14
How to configure.....	14
App functionalities.....	14
6. Maintenance.....	15
7. Support.....	15
8. Abbreviations.....	15

---




# 1. SAFETY INSTRUCTIONS

## 1.1. Purpose

Safety instructions are provided below in order to ensure safe, long-term use of the product. Failure to comply with the instructions and general safety guidelines for electrical systems may lead to an electric shock, fire hazard, damage, malfunction, injury and/or death.

Read the safety instructions in this document before installing and using the product.

## 1.2. Safety terminology

 <b>DANGER</b>	Danger texts provide important information to avoid situations with a high chance to cause severe malfunction, damage, injuries or death.
 <b>WARNING</b>	Warning texts provide important information to avoid situations with a significant chance to cause malfunction, damage, injuries or death.
 <b>CAUTION</b>	Caution texts provide important information to avoid situations that may cause some degree of malfunction, damage or injuries.



## DANGER

---

- Do not let the product be used by children, or individuals who cannot assess the risks associated with unintended product use. Children in the vicinity must be supervised by adults while the product is in use.
- Do not have the product serviced by non-qualified personnel in order to avoid the risk of serious injury from electric shock or damage to the product. None of the product's parts are intended to be serviced by users. Do not attempt to disassemble, tamper with, or modify the product. If the product requires servicing, repair or relocation, contact a qualified electrician to perform these operations.
- If an accident has occurred or a hazardous situation has developed with regard to the product, have a certified electrician immediately disconnect the product's electrical supply.
- Do not use the product if one or more of its components may have become damaged or compromised.
- Always make sure the product is not submerged in water, and is not located near water. Do not handle the product with wet hands, and make sure no liquid is sprayed on it or comes into contact with it. Store the charging cable in the socket to prevent unnecessary exposure to contamination or moisture. Handling the product or its components while conductive liquids are present may cause an electric shock with the risk of serious injury or death.
- Do not use or install the product in the vicinity of explosive, volatile, combustible or highly flammable substances. Note that some electric vehicles release hazardous or explosive gasses when charging, which may cause an explosion with the risk of serious injury or death. Refer to the vehicle's manual to check if this is the case, and follow the instructions it specifies before choosing the location of the product.



## WARNING

---

- The product must be grounded through a permanent wiring system or grounding conductor.
- Disconnect input power at the circuit breaker before installing, cleaning, removing or relocating the product.
- With the exception of the T2S+E version, which enables Mode 1 and Mode 2 charging, the product should be used to charge Mode 3 compatible electric vehicles only. Check the vehicle's compatibility using the information in the vehicle manual.
- Avoid using a private power generator, adapters, conversion adapters or cord extensions with the product. The introduction of accessories not prescribed for the product may create technical incompatibilities that can cause malfunction or damage, and result in injury or death.
- Do not let the product and charging cable come into contact with heat sources. High temperatures may impair functionality, cause damage or cause hazards.
- Damage to the product may cause injury or death. Respect the product's operating parameters and technical specifications, and make sure damage is not inflicted or allowed to accumulate on the product. Do not use the product if it fails to operate normally or appears cracked, frayed, broken or otherwise damaged. If you suspect the product may have been damaged, have it checked by a qualified electrician as soon as possible.
- Take care not to apply force or pressure to any part of the product or to damage it with sharp objects or impacts.
- Use of the product may interfere with the proper functioning of medical or implantable electronic devices in the user, such as a pacemaker or defibrillator. The user should check with the manufacturer of such electronic devices whether electric charging may affect such a device before using the product.



## CAUTION

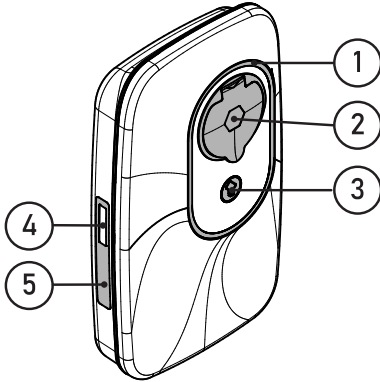
---

- Installing and/or testing the product incorrectly may result in damage to the product and/or a connected vehicle's battery. Such damage is excluded from the vehicle and charging product's warranties.
- The charging cable must be completely unwound and overlapping loops must be avoided before charging to prevent overheating, which may damage the product.
- Do not put fingers or objects in the socket or any other exposed part of the product, as doing this may cause injury or damage.
- Keep (electro)magnetic devices away from the product, as their use in the vicinity of the product may negatively affect the product's functionality, even to the point of causing damage to the product.
- Use the product only in temperatures within its operating range of -30°C to 50°C.
- Only transport and store the product in its original packaging. Do not subject the product to strong force, impact, pull, twist, tangle or drag and do not step on any part of the product. If the product is damaged in transport, while it was not transported in its original packaging, no damage liability can be accepted.
- Store the product in a dry environment and within the temperature range provided in the technical specifications.

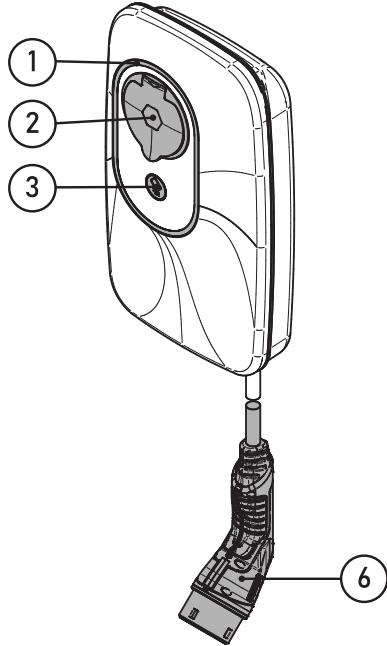
---

## 2. PRODUCT OVERVIEW

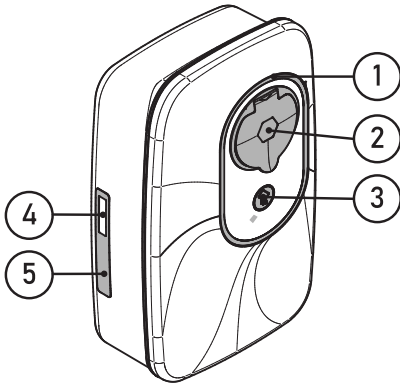
T2 version



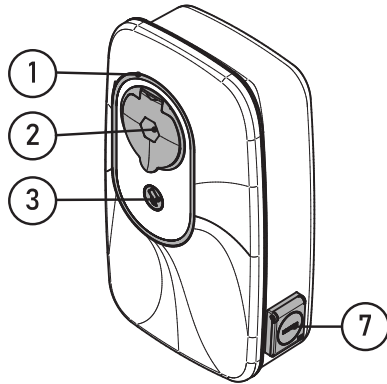
C7 version





T2S version



T2S+E version





1	LED frame	The LED frame lights up using a variety of different colors and light patterns to indicate the charger's current activity status. See "4. Charger LED colors" <u>on page 13</u> .
2	Socket lid	The socket lid covers the socket (T2, T2S and T2S+E versions) or the dummy socket of the cable version (C7 version).
3	RFID reader	When properly configured, the RFID reader will scan an RFID charge card held in front of it.
4	MID screen	The MID screen uses a proximity sensor. To activate the screen, create motion at <10 cm from the sensor. The MID screen displays checksum, firmware version and energy input / output information.
5	CE sticker	The CE sticker contains identifying information such as the device model and serial number. - T2 / C7 version CE sticker  - T2S / T2S+E version CE sticker 
6	Type 2 connector	The Type 2 connector on the C7 cable allows for Mode 3 charging.
7	Schuko lid	The Schuko lid covers the Schuko connection point, which allows for Mode 1 and Mode 2 charging.

---

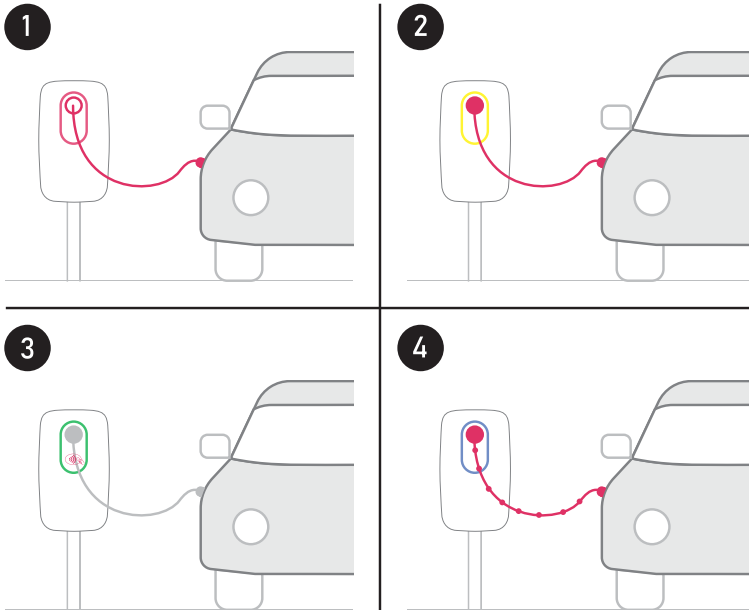
### 3. CHARGING

#### Start charging

##### *Mode 3 charging*

The charge point may be configured as 'plug and charge'. If this is the case, the charging session will start automatically as soon as the electric vehicle is plugged into the charge point (see step 1).

Alternatively, the charge point may be configured to require authorization for payment before charging (see steps 1 - 4).



---

1	Plug in your electric vehicle.	The charge point may come with its own cable, or it may only have a socket. <ul style="list-style-type: none"> <li>• If there is a fixed cable attached to the charge point, plug the cable into your electric vehicle.</li> <li>• Otherwise, plug your cable into the charge socket and into your electric vehicle to connect the vehicle to the charge point.</li> </ul>
2	The charge point attempts to identify your electric vehicle.	Once your electric vehicle is connected, the charge point will automatically attempt to identify the vehicle and retrieve its charging specifications.
3	If necessary, authorize yourself and your payment method before charging.	If the charge point is configured to require authorization for payment before charging, then authorization is needed to identify the vehicle's user and the user's payment method for charging. In this case, authorize the vehicle for charging by swiping your RFID charge card in front of the RFID reader on the charge point.
4	The charging session begins.	Once the vehicle is identified and the user is authorized for charging, either automatically or by swiping an RFID charge card, the charge point will start charging the vehicle.

### *Mode 1 and Mode 2 charging*













The T2S+E version of the charge point allows for Mode 1 and Mode 2 charging. Mode 1 and Mode 2 charging works identically to Mode 3 charging, except that the Schuko connection point is used to connect the vehicle to the charge point instead of the socket. Charge point configuration for authorization or 'plug and charge' also applies to Mode 1 and Mode 2 charging. Bear in mind that the socket (Mode 3 charging) cannot be used at the same time as the Schuko connection point (Mode 1 and Mode 2 charging).

---

## **Stop charging**

1. The charge point may be configured to require authorization when the user wishes to end the charging session. In this case, the user must swipe their RFID charge card in front of the RFID reader on the charge point before ending the charging session.
2. Unplug the cable to end the charging session.

## 4. CHARGER LED COLORS

Color	Pattern	Status	Information
No color	No pattern	Idle	The charge point is ready for use.
White 	White continuous	Connector reserved	The connector is currently reserved.
Yellow 	Yellow flashing	Startup behavior	The charge point is initializing.
Yellow 	Yellow continuous	EV plugged in	Ready to authorize the user (if needed) and charge the electric vehicle.
Yellow 	Yellow continuous	Authorized (if authorized before cable is plugged in)	Ready to connect the cable and charge the authorized user's electric vehicle.
Green 	Green continuous	Swipe / authorization	The swiped card or connected vehicle is authorized.
Light Blue 	Light blue continuous	Locked / suspended EV / EVSE	Charging is currently suspended.
Blue 	Blue continuous	Charging	The connected electric vehicle is charging.
Blue 	Blue pulsing	Load balancing	Load balancing is in progress.
Red 	Red flashing	Token rejected	Cannot authorize using the RFID charge card that is presented.
Red 	Red continuous	Set unavailable	The charging set is currently unavailable for charging.
Red 	Red continuous	Error	An error has occurred. Your request cannot be processed.
Purple 	Purple continuous	Firmware update	The charge point's firmware is updating. Please wait.

---

## 5. APP

### How to configure

The charger can be configured using the My-eNovates app, available in the App Store and Play Store. The app is compatible with smartphones running Apple iOS 12 or a more recent version, as well as smartphones running Android 10 or a more recent version.

You will need the following tools and information to configure the charger using the app.

- User QR code (check the back of the installer manual)
- Bluetooth connectivity on smartphone

Scan the user QR code to get started, and follow the app's instructions.



App Store

<https://apps.apple.com/us/app/my-enovates/>



Google Play

<https://play.google.com/store/apps/details?id=com.enovates.myeNovates>

### App functionalities

- Manage EV Chargers: view details, set charge point alias
- Manage authentication settings: plug & charge or token-based
- Manage tokens: name / remove / add tokens and more
- Check connection status
- Review charge point transaction history
- Set charging schedule
- Set LED light intensity

Scan the User QR code to access the app.

---

## 6. MAINTENANCE

- Regularly check the device and its cable or socket for damage and filth.
- Regularly have the device inspected by a qualified electrician according to local regulations.
- If the device is dirty, clean it with a slightly damp cloth and mild detergent.
- If the device appears damaged, have it checked by a qualified technician.

## 7. SUPPORT

If you require customer support, please contact the installer or distributor of your purchase.

## 8. ABBREVIATIONS

C7:	Fixed cable
CE:	Conformité Européenne
EV:	Electric Vehicle
EVSE:	Electric Vehicle Supply Equipment
iOS:	Apple Operating System
LED	Light Emitting Diode
MID:	Multi Information Display
QR:	Quick Response
RFID:	Radio Frequency Identification Device
T2	Type 2 socket
T2S	Type 2 socket + shutter
T2S+E	Type 2 socket + shutter + Schuko

Manufacturer  
Enovates N.V. • Brandstraat 13 • 9160 Lokeren • Belgium  
KBO 0833.289.547