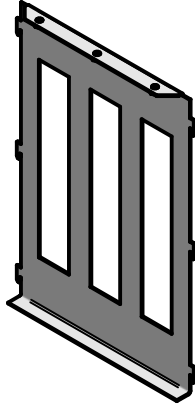
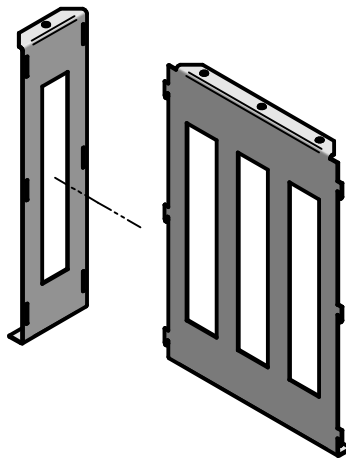


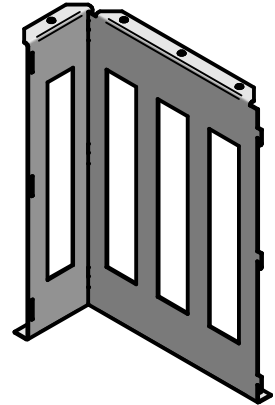
1



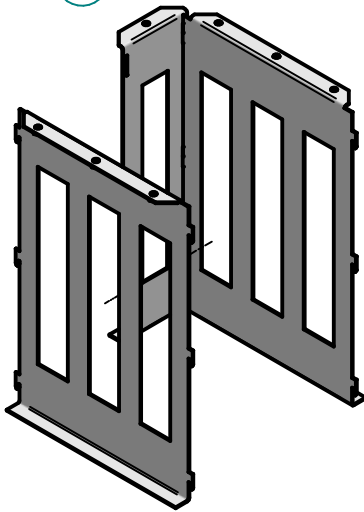
2



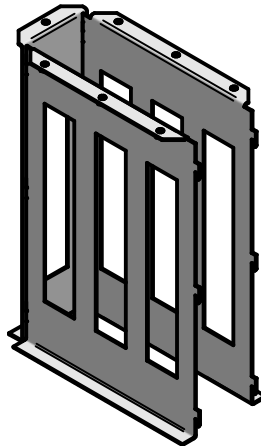
3



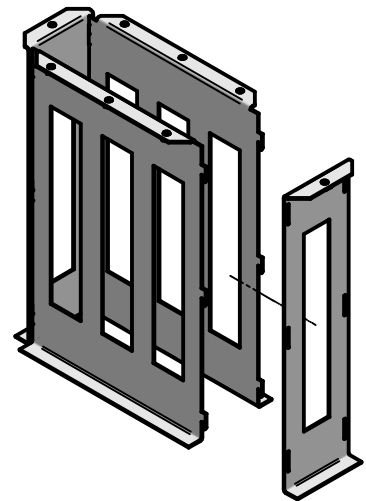
4



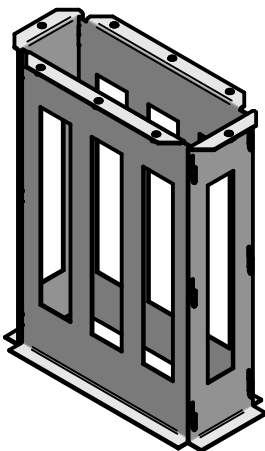
5



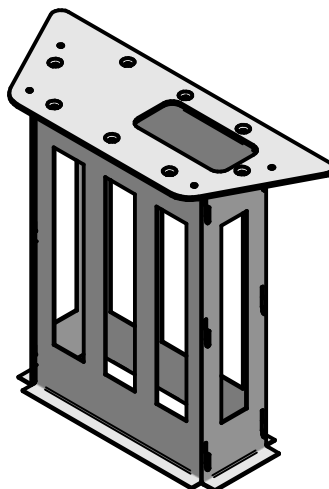
6



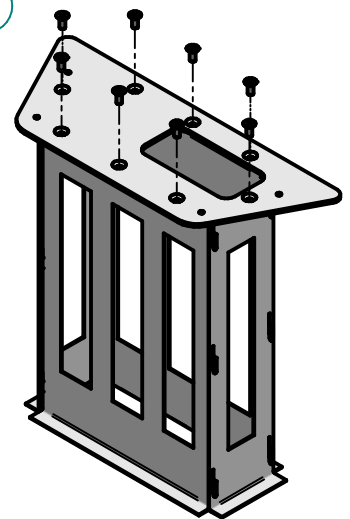
7



8



9



	NAME	DATE	Solid Edge	
DRAWN	R_VdV	01/21/22	TITLE	
CHECKED			Assembly_anchor	
ENG APPR			SIZE	DWG NO
MGR APPR			A2	
UNLESS OTHERWISE SPECIFIED DIMENSIONS ARE IN MILLIMETERS ANGLES ±XX°			FILE NAME:	C:\riz_anchor_assembly.dft
2 PL ±XXX 3 PL ±XXXX			SCALE:	1:25
			WEIGHT:	
			SHEET 1 OF 1	